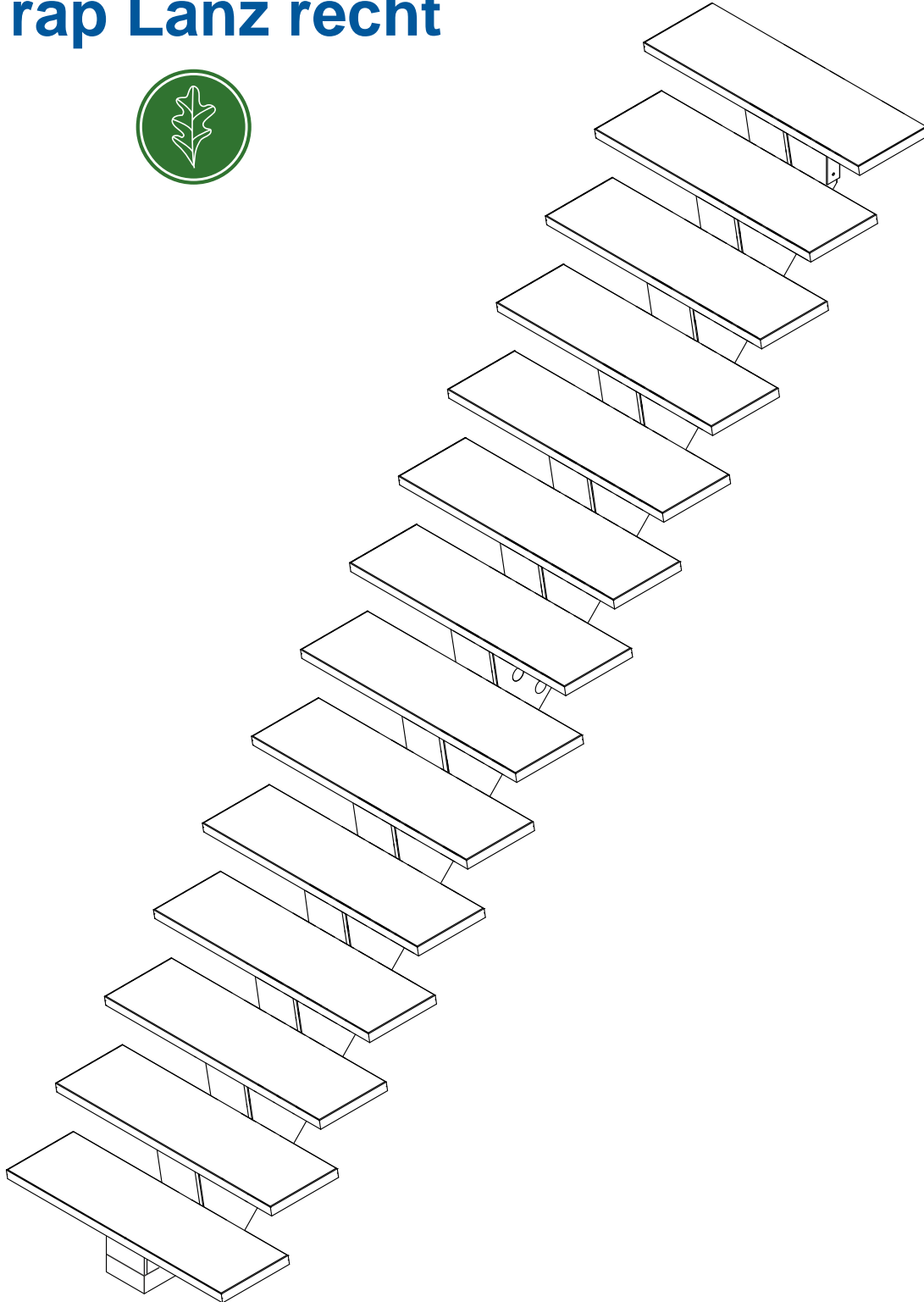
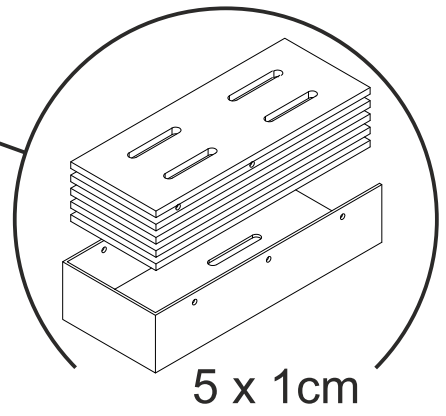
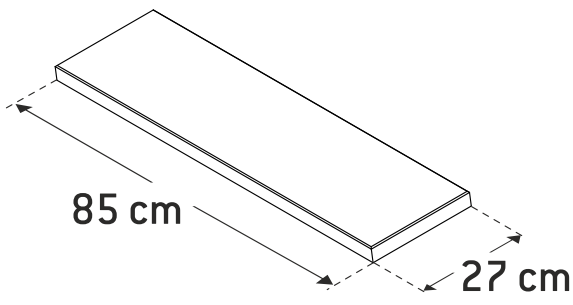
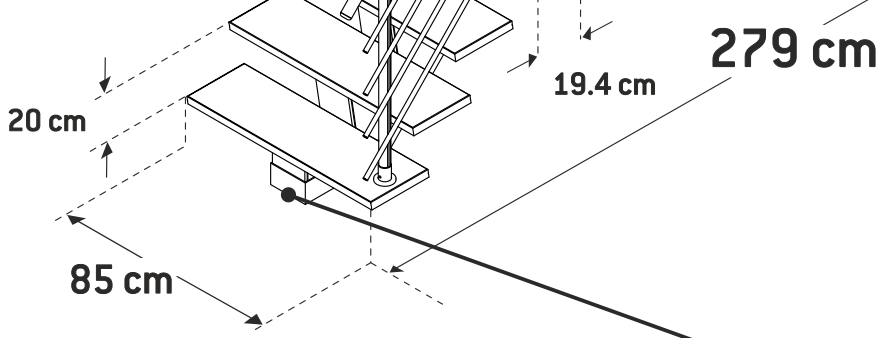
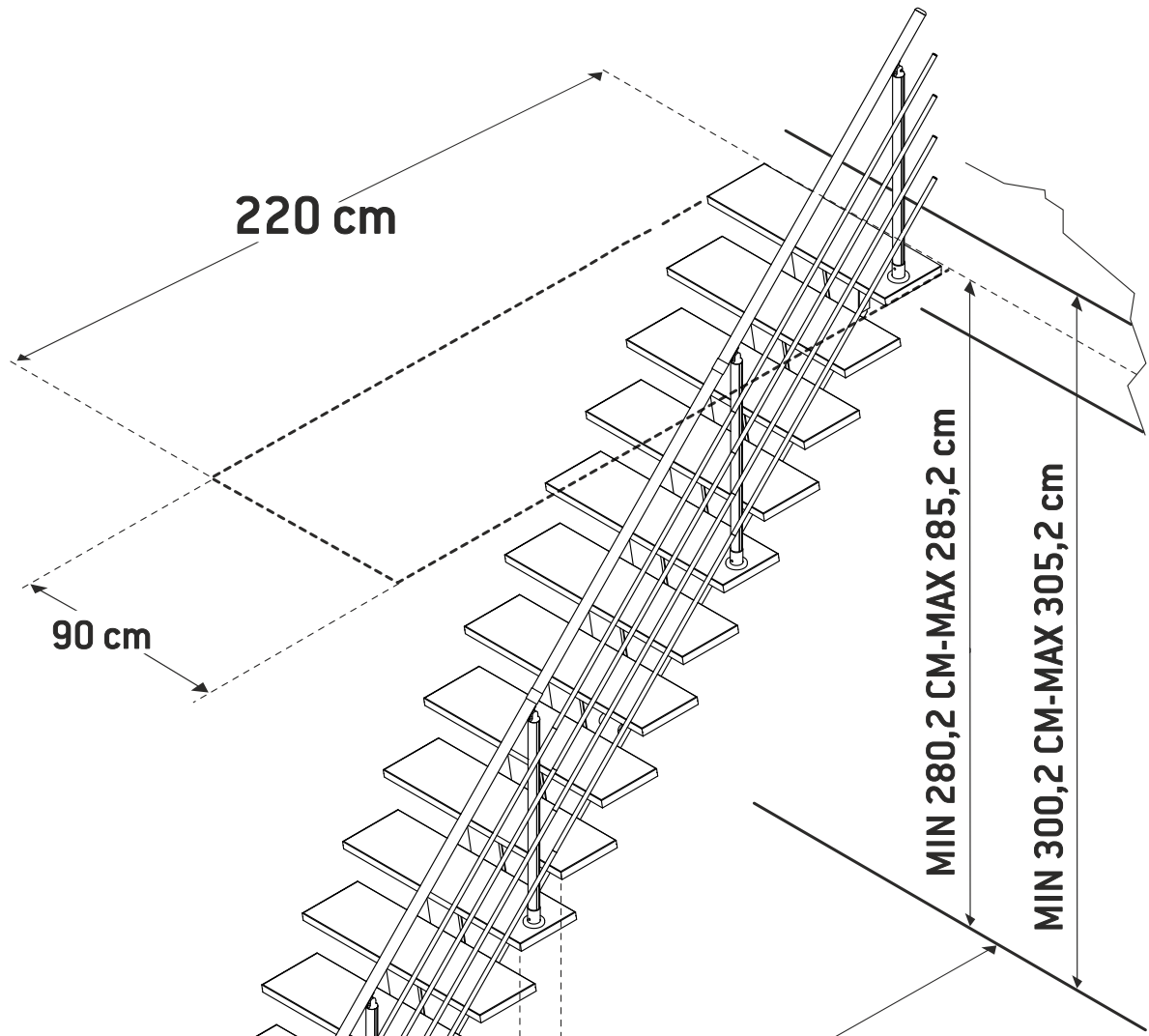
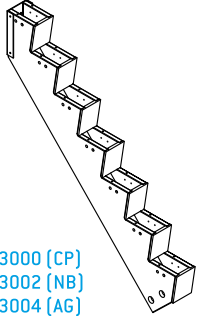
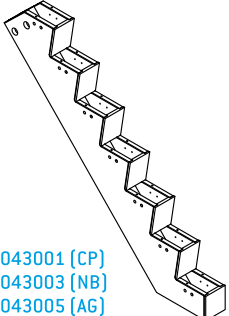
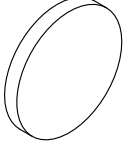

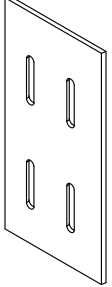
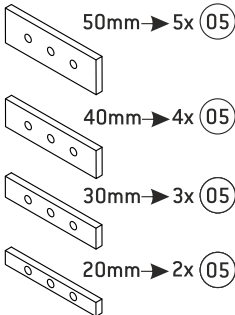
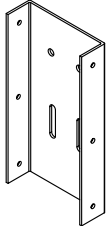
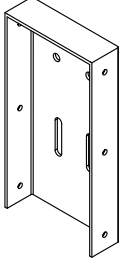
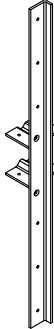
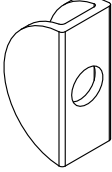
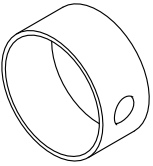
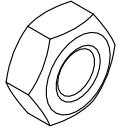
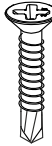
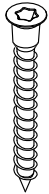
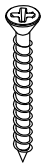


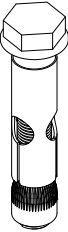

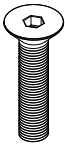


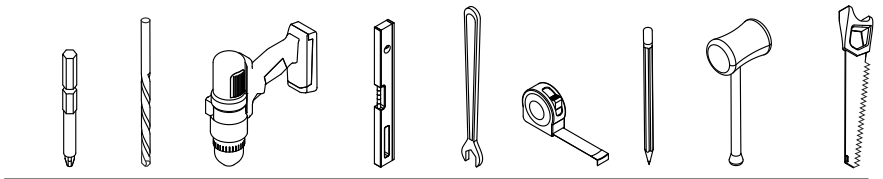
Trap Lanz recht





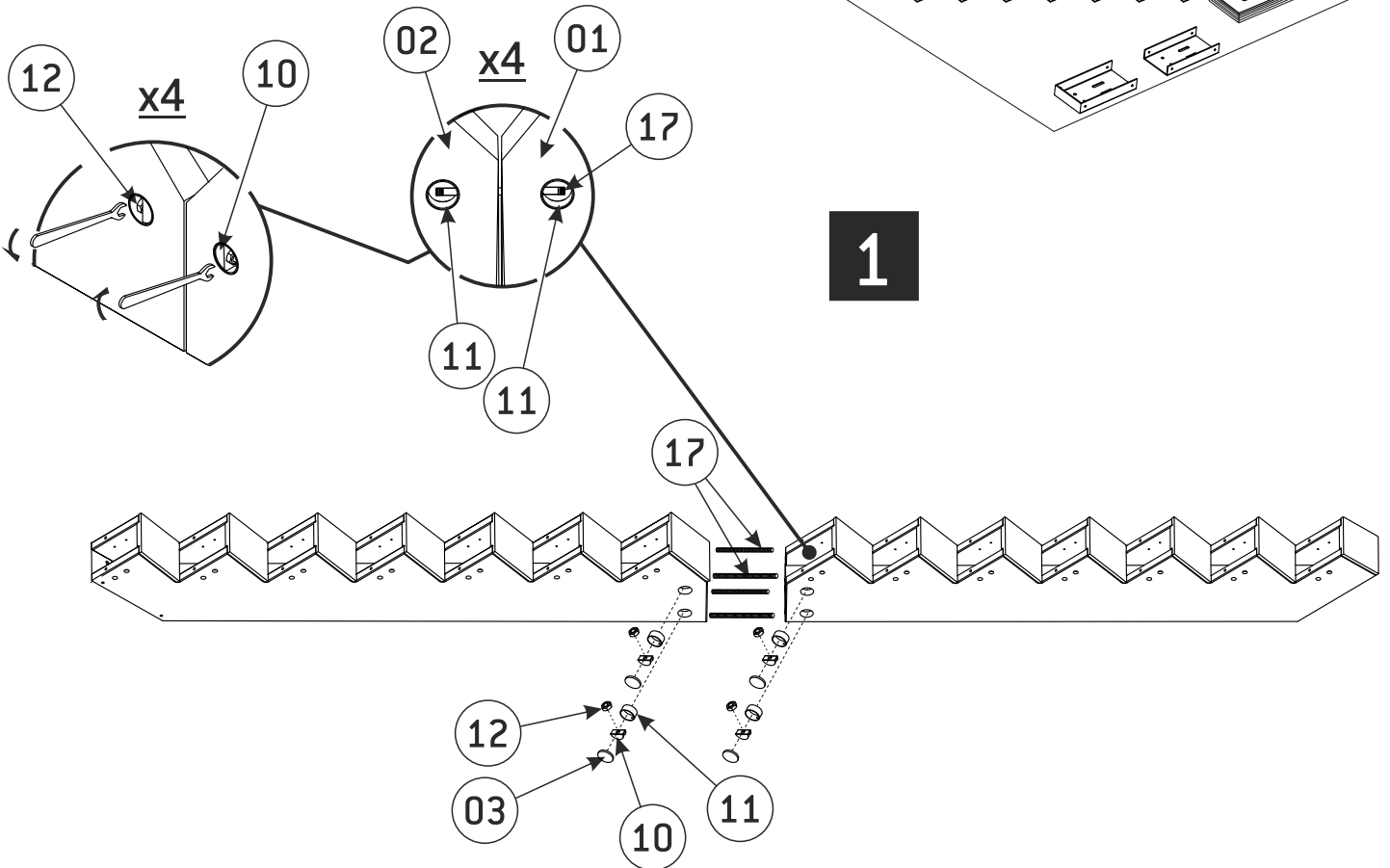
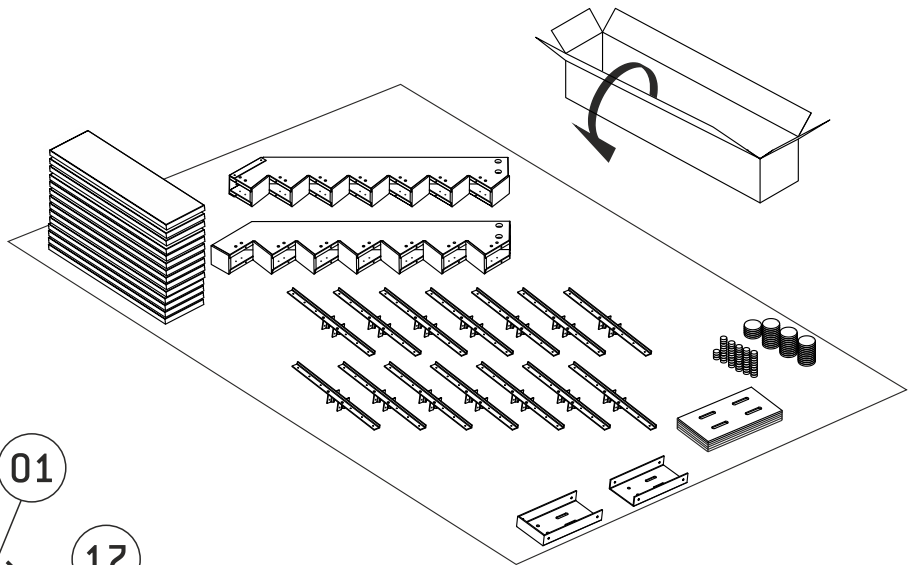
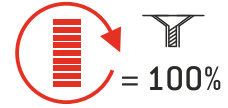
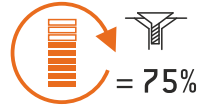
<p>01 150X380X1946 x1</p>  <p>70043000 (CP) 70043002 (NB) 70043004 (AG) 70043006 (SW)</p>	<p>02 150X380X1910 x1</p>  <p>70043001 (CP) 70043003 (NB) 70043005 (AG) 70043007 (SW)</p>	<p>03 050X5 x8+1</p>  <p>70041012 (CP) 70041013 (NB) 70041014 (AG) 70041015 (SW)</p>	<p>04 020X5 x56+2</p>  <p>70041008 (CP) 70041009 (NB) 70041010 (AG) 70041011 (SW)</p>	<p>05 10X149X375 x5</p>  <p>70041016</p>
<p>06 10X20,30,40,50X150 50mm → 5x 05 40mm → 4x 05 30mm → 3x 05 20mm → 2x 05</p>  <p>70041026</p>	<p>07 50X162X315 x1</p>  <p>70041017</p>	<p>08 84X159X382 x1</p>  <p>70041018</p>	<p>09 80X85X700 x14</p>  <p>70042008</p>	<p>10 11X18X35 x8</p>  <p>70041003</p>
<p>11 19X037X040 x8</p>  <p>70031034</p>	<p>12 M8 x8</p>  <p>70041004</p>	<p>13 06,3X60 / 06,3X45 x28+2</p>  <p>70041019</p>	<p>14 07X40 x12</p>  <p>70041007</p>	<p>15 05X25 x87+2</p>  <p>70041000</p>
<p>16 HEX 4 x1</p>  <p>70041028</p>	<p>17 M8X160 x4</p>  <p>70031033</p>	<p>18 M12X016X80 x8</p>  <p>70041006</p>	<p>19 15X016 x28</p>  <p>70041059</p>	<p>20 M6X50 x28+1</p>  <p>70041058</p>

<p>21 x13</p> <p>81° 38X275X850</p> <p>99°</p>	<p>22 x1</p> <p>90° 38X275X850</p> <p>99°</p>
<p>23 x1</p> <p>20 ml</p> <p>70041061 CP 70040062 NB 70040063 AG 70040064 SW</p>	<p>24 x1</p> <p>36.5X53X190</p>

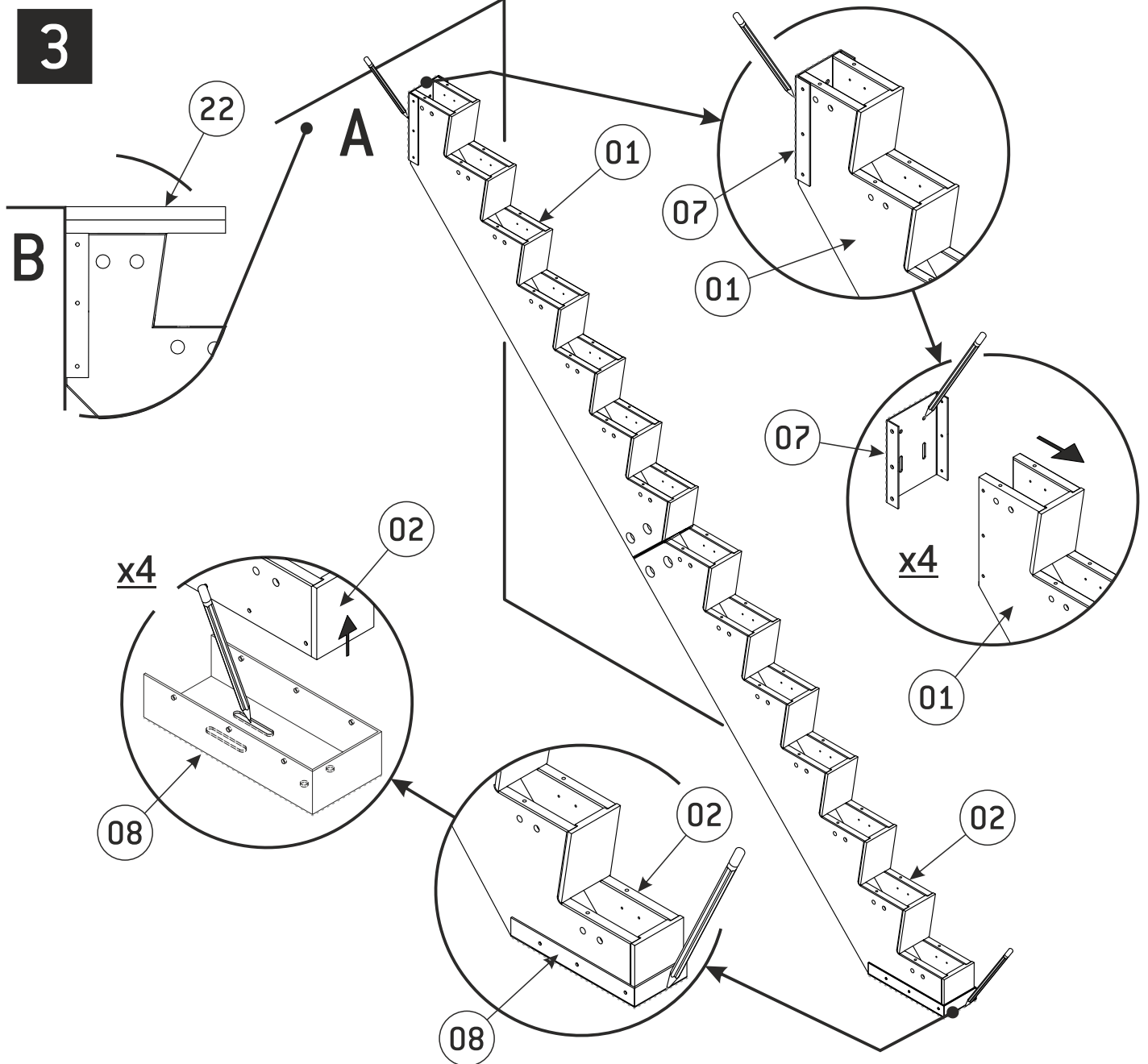
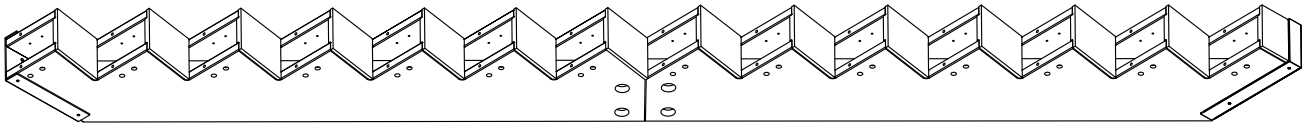


Ph2/3 016
Pz2/3

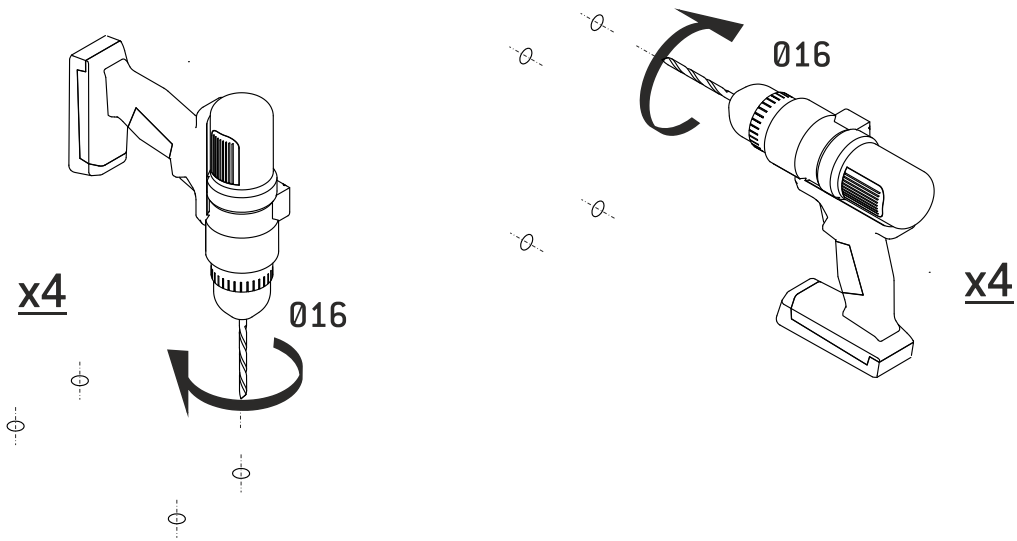
10
13
17



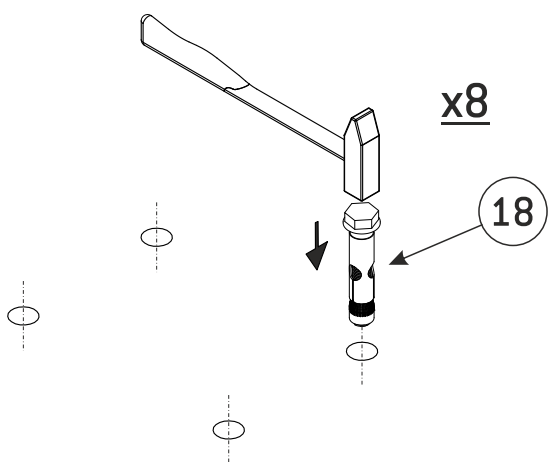
2 45.9°



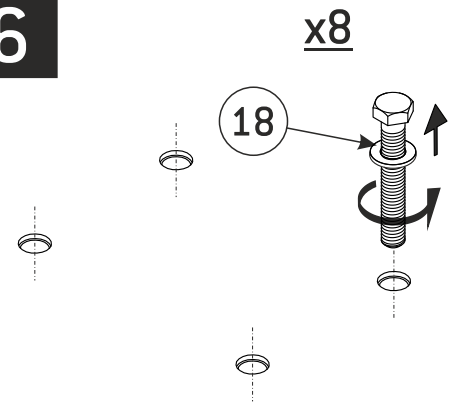
4



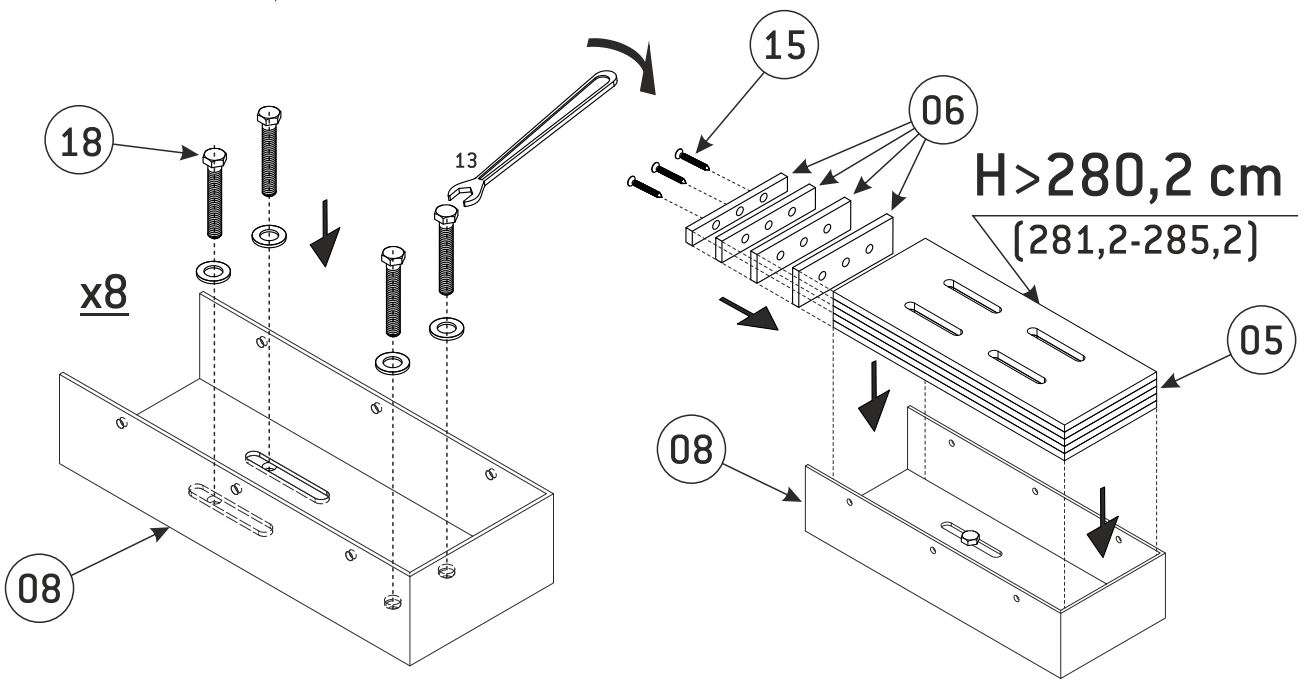
5



6



7

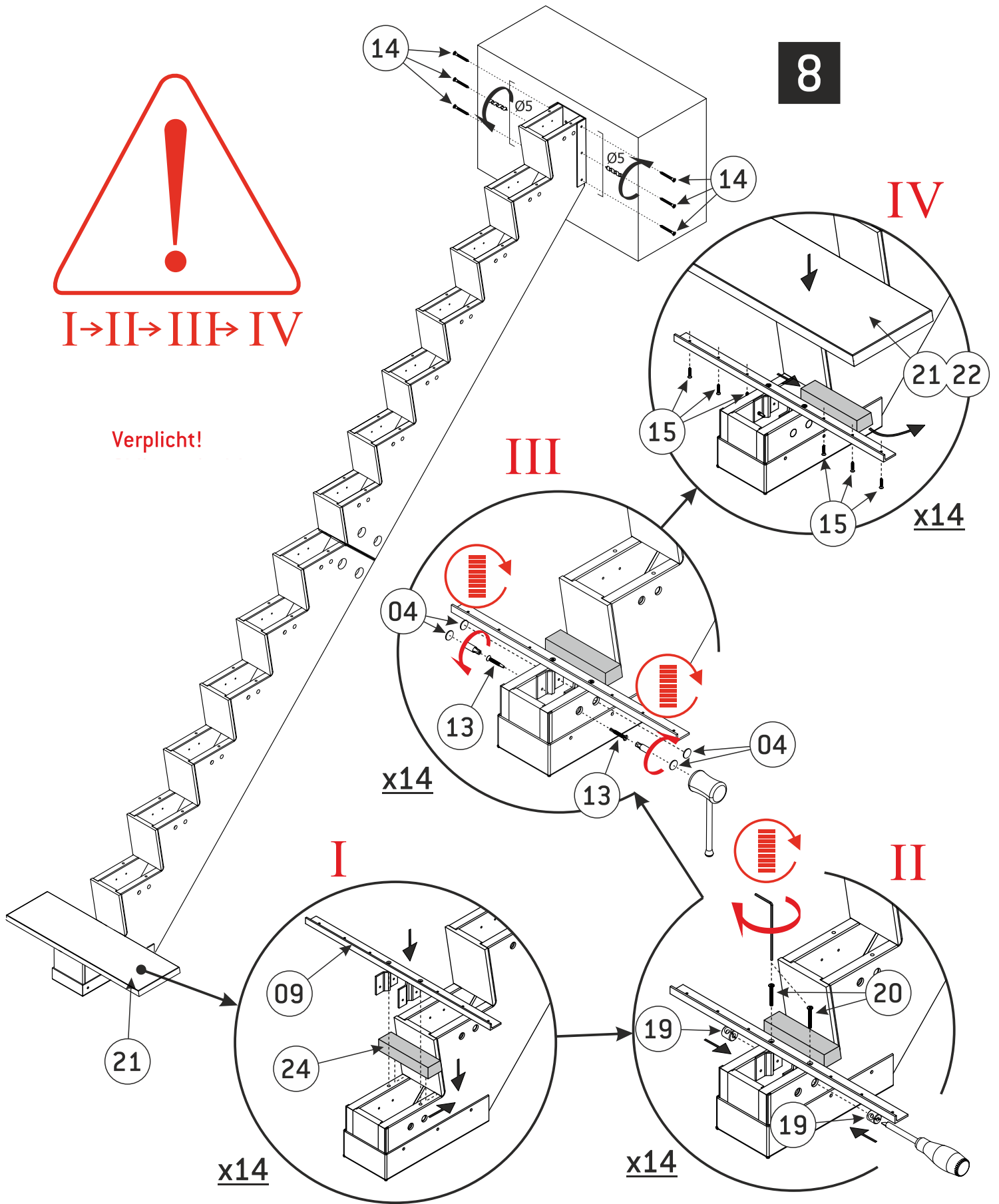


8



I→II→III→IV

Verpflicht!



III

IV

I

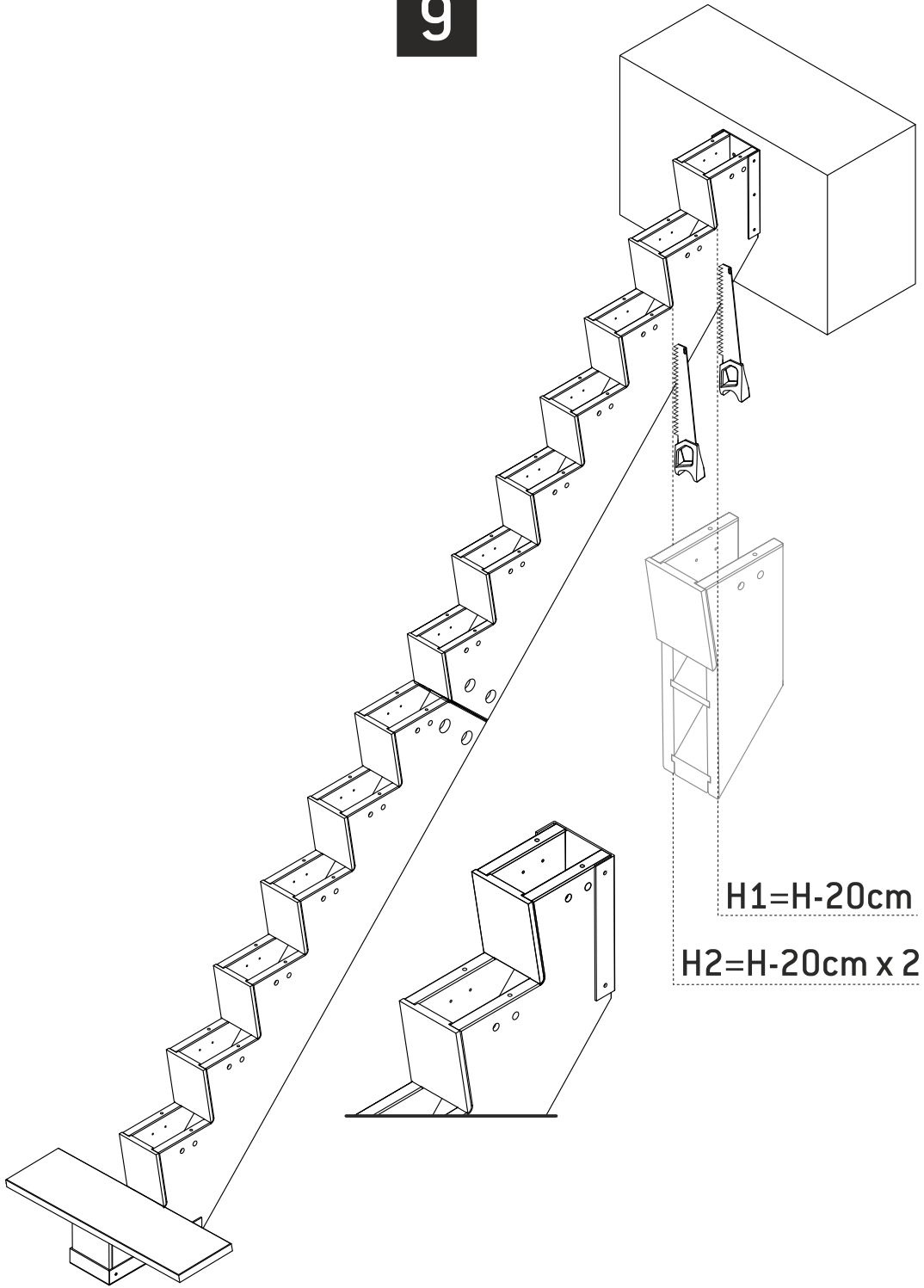
II

x14

x14

x14

9



10

