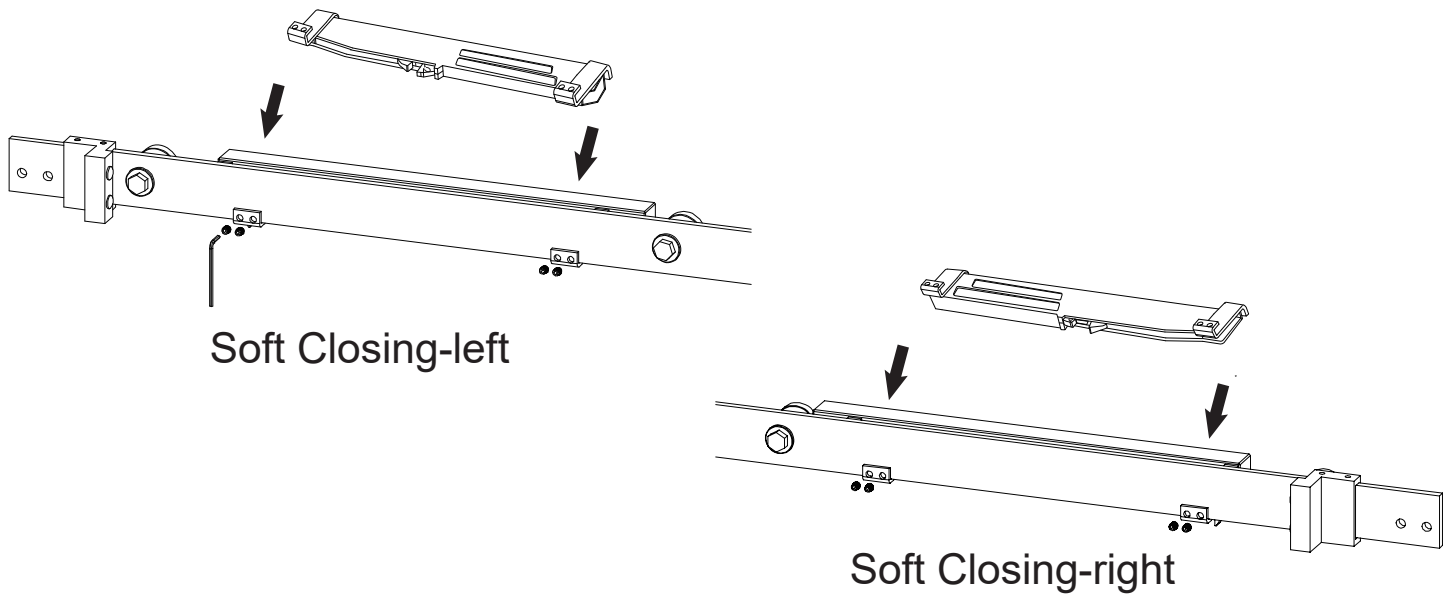


1: Install the Soft Closing on the left and right sides and fix it with screws.



2: Push the door to the left and install the left actuator. Same on the right.

