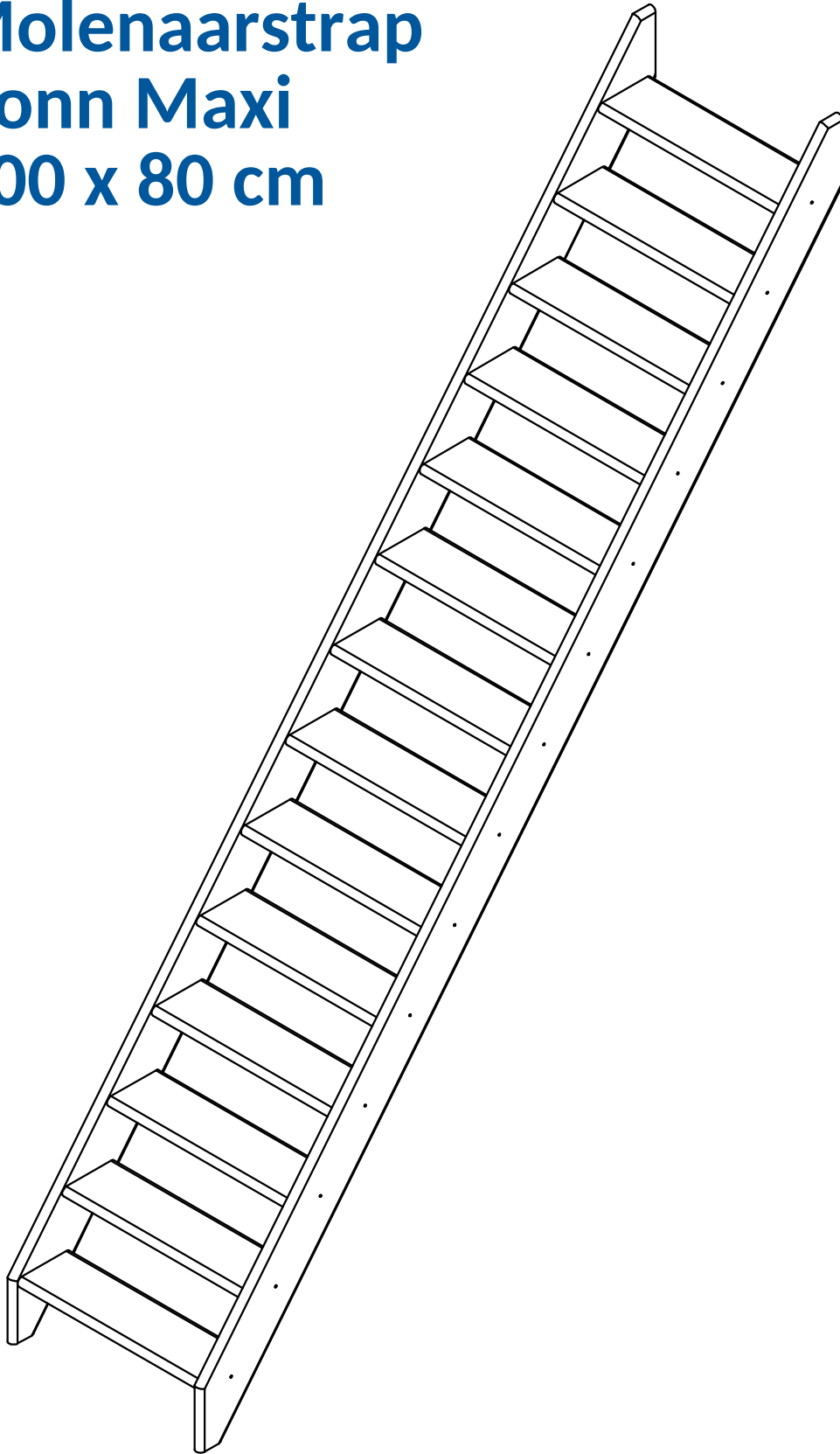
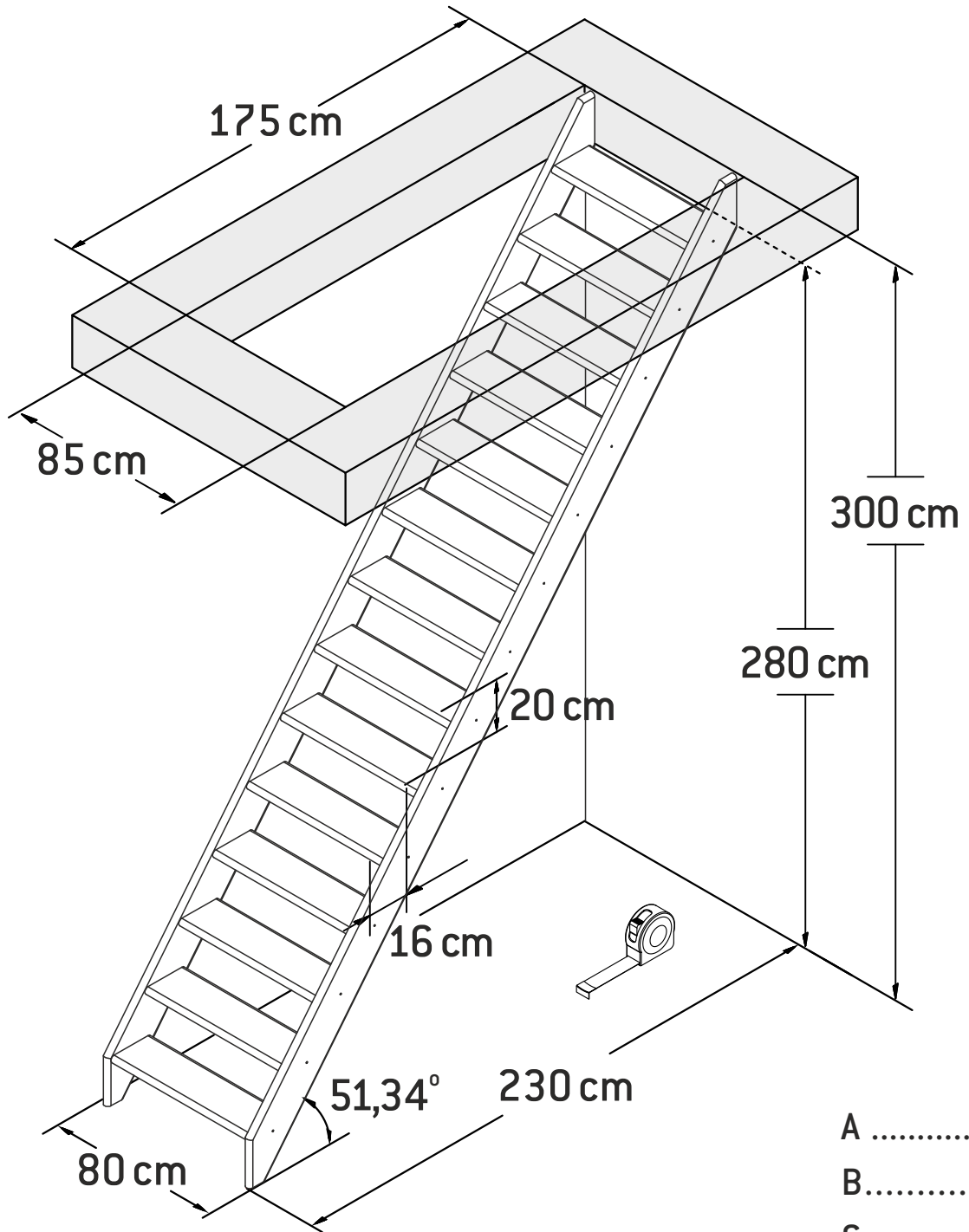
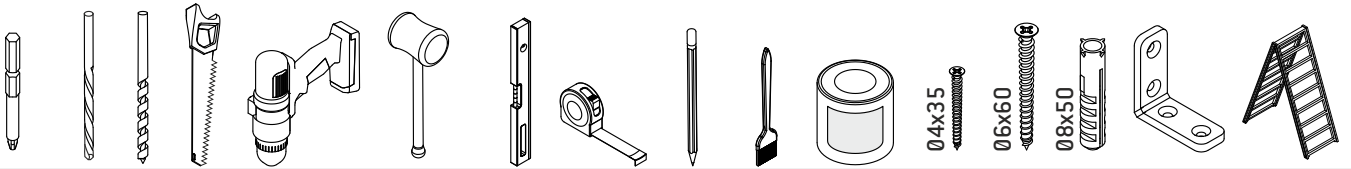
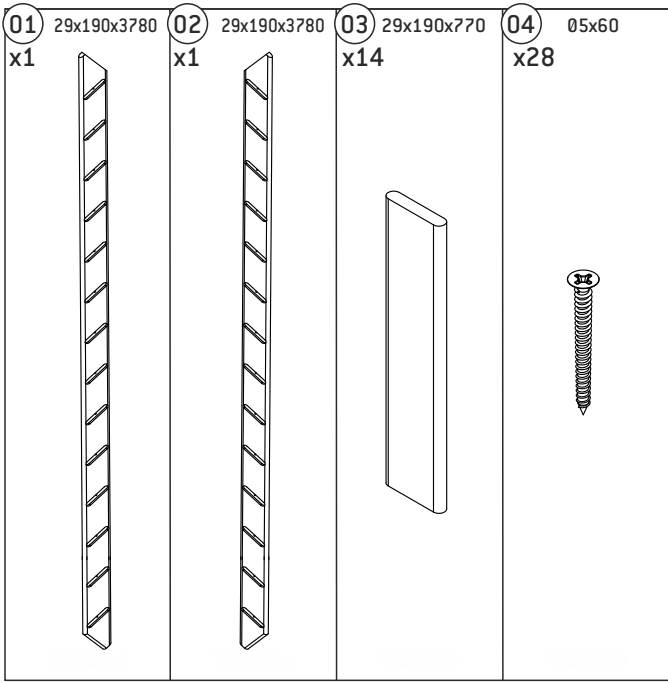


Molenaarstrap Bonn Maxi 300 x 80 cm



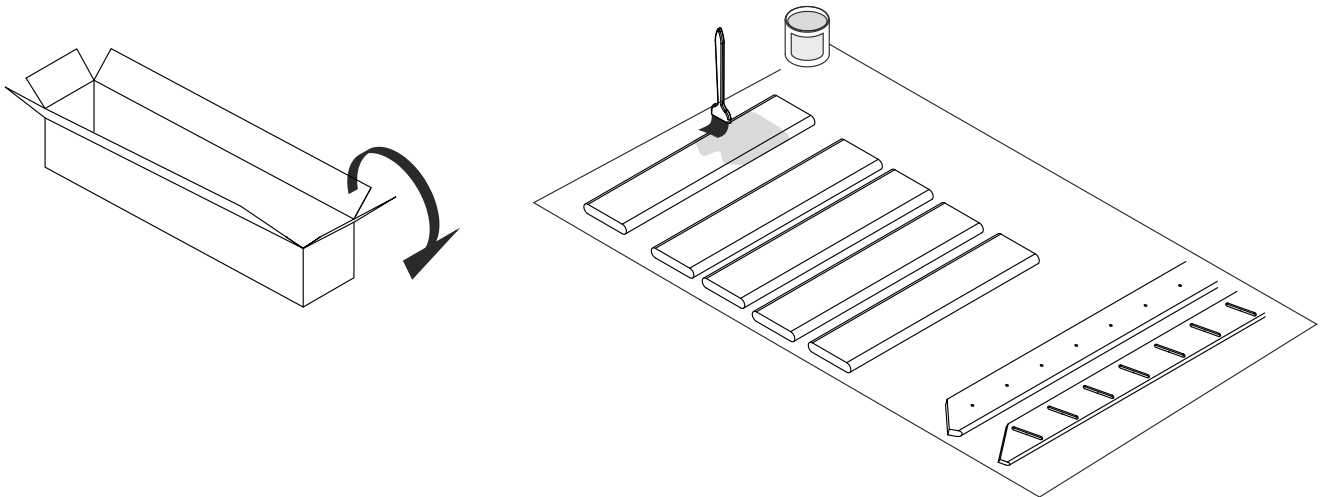


- Acm
- B.....cm
- Ccm
- Dcm
- Ecm
- Fcm

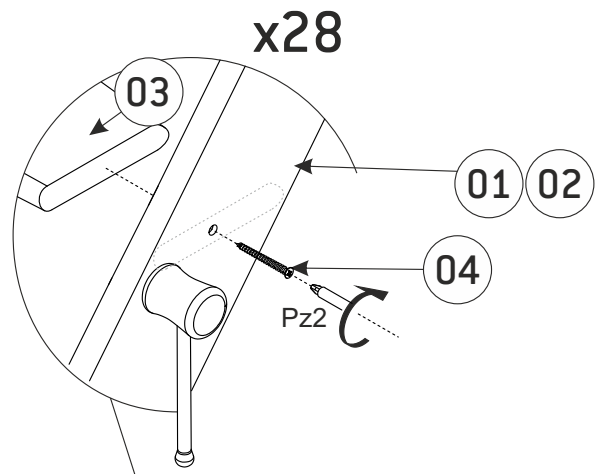


Ph2/3 010 04
Pz2/3 08 012

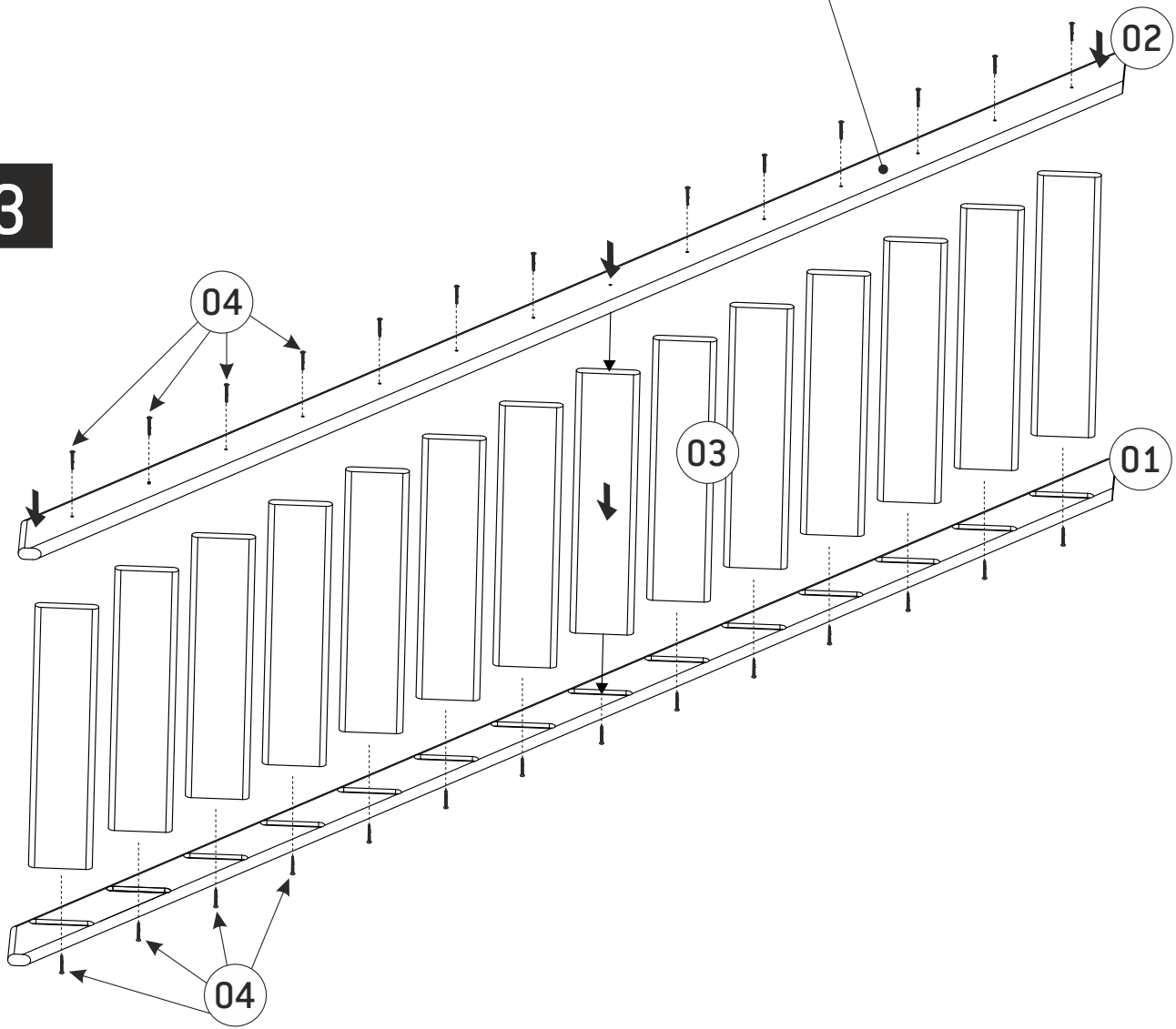
1



2

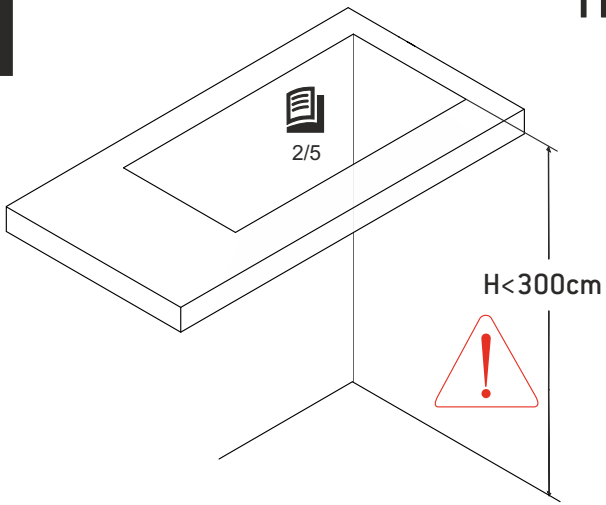


3

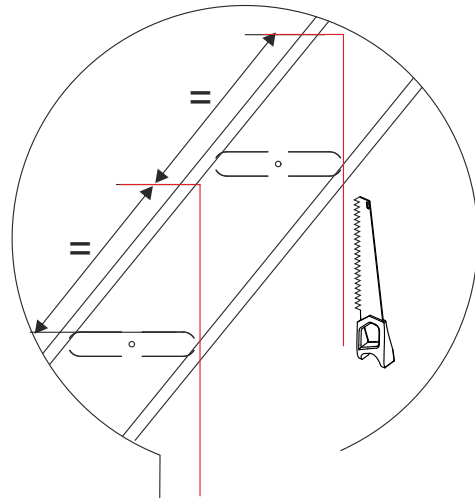


4

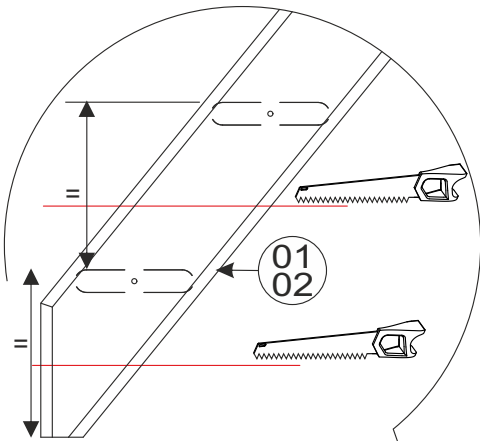
$H < 300 \text{ cm}$



$-1h; -2h$



$-0,3h; -1,5h$

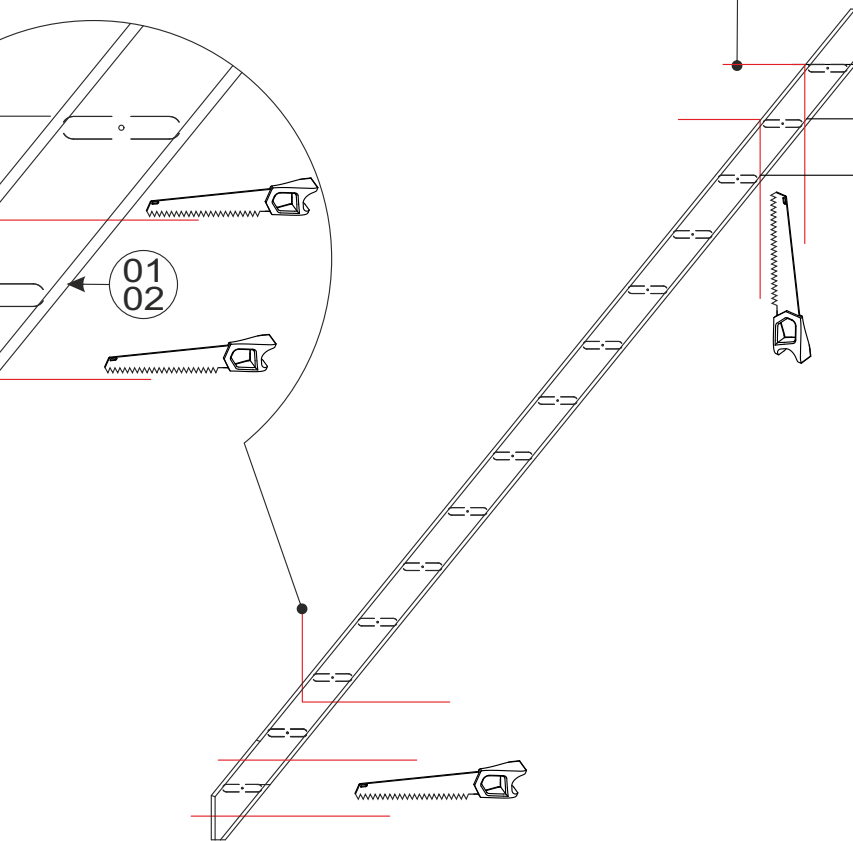


$H = 280 \text{ cm}$

$H = 260 \text{ cm}$

$H = 240 \text{ cm}$

$H < 280 \text{ cm}$



5

